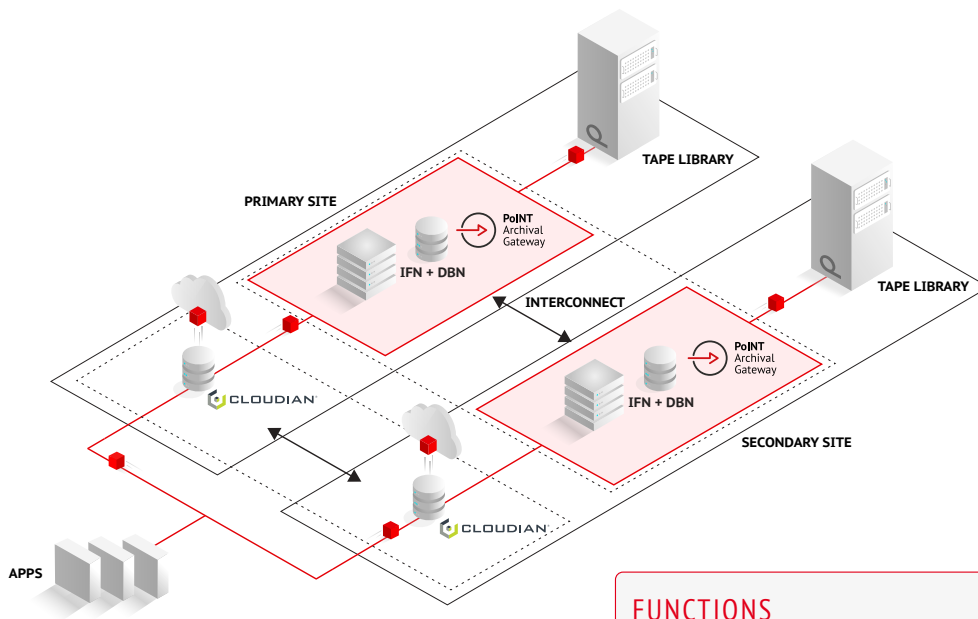


Object stores are considered highly available and secure even in case of hardware or site failures. They use redundant components such as erasure coding and replication to minimize downtime and ensure high availability. However, reliability and high availability should not be confused with data security:

The valuable data on object storage systems must also be protected against accidental or malicious deletion, as well as cyberattacks and ransomware. The best protection against these threats is still a backup. As a tape-based S3 object storage, PoINT Archival Gateway is the ideal backup target for an additional, cost-efficient backup of data on your primary object storage systems.



HOW IT WORKS

Cloudian's HyperStore object storage systems support a so-called Cross Region Replication (CRR), which backs up objects to another, external object storage system as part of an automatic, asynchronous copy process. Thereby, only new objects are replicated.

PoINT Archival Gateway can thus be seamlessly integrated as an additional S3 storage class via the standardized interface. By means of Cross Region Replication PoINT Archival Gateway automatically receives a data copy from the object storage and stores this data on tape in a high-performance, scalable and cost-effective way.

With the additional backup on this independent and offline-capable storage medium, the data is optimally protected against ransomware, against technical failure and human errors.

FUNCTIONS

- Tape library integration via standardized S3 REST API
- Automated replication from Cloudian HyperStore to tape
- Native access to replicated data via S3 interface
- High performance in writing
- Fast restore in case of recovery

BENEFITS

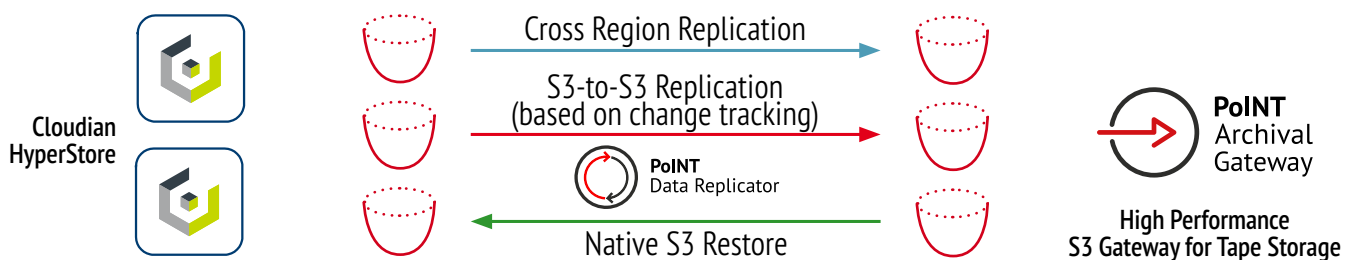
- Protection against ransomware as well as technical and human errors through Air Gap
- Data protection through "Erasure Coding"
- Cost-efficient through use of tape media
- Reliability through server redundancy
- Independence from tape system manufacturers, no vendor lock-in
- Future-proof through LTO roadmap



CloudianHyperStore CRR

Cloudian's HyperStore object storage systems support a so-called Cross Region Replication (CRR), which backs up objects to another, external object storage system as part of an automatic, asynchronous copy process. Thereby, only new objects are replicated. PoINT Archival Gateway can thus be seamlessly integrated as an additional S3 storage class via the standardized interface. By means of Cross Region Replication PoINT Archival Gateway automatically receives a data copy from the object storage and stores this data on tape in a high-performance, scalable and cost-effective way.

With the additional backup on this independent and offline-capable storage medium, the data is optimally protected against ransomware, against technical failure and human errors.

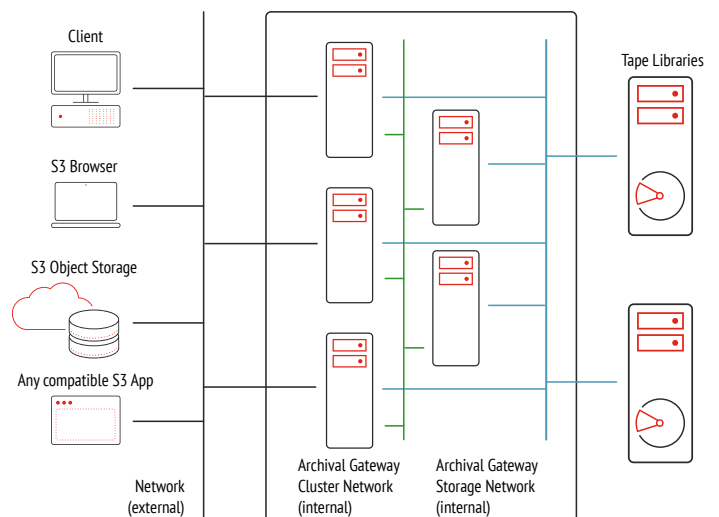


PoINT Archival Gateway

PoINT Archival Gateway is a software-based and high-performance object storage supporting tape libraries. This combination allows to store and archive data volumes in the three-digit petabyte range without any problems.

PoINT Archival Gateway receives the data volumes quickly and writes them securely to the tape media. The software solution also ensures that the data can be read again with high performance.

- Transfer rates of more than 1 PB per day
- High scalability
- Wide range of applications through standardized S3 REST API
- Vendor-independent: support for LTO and IBM 3592 libraries
- Reliability e.g. through redundant server nodes ensures data protection and availability
- Data protection through modern "Erasure Coding"



ABOUT POINT

PoINT Software & Systems GmbH is specialized in the development and distribution of software products for storage, management and archiving of data. Our data & storage management solutions offer an easy and efficient integration of different storage technologies and systems in consideration of enterprise requirements. PoINT products allow optimized usage of storage systems and help to reduce costs and issues caused by data growth.

ABOUT CLOUDIAN

Cloudian is the most widely used independent provider of object storage systems. With its native S3 API, the company offers data centers the scalability and flexibility of public cloud storage. At the same time, it provides ransomware protection and, compared to traditional SAN/NAS and public clouds, reduces operating costs by more than 60%. The geo-distributed architecture enables users to manage and protect object and file data across locations – on-premises and in the cloud – from a single platform. Cloudian is available as software or appliance and supports conventional and containerized applications. More at cloudian.com.